

## ARCO COPPER

Mixer Taps

Code: R491 A08



### DETAILS

Mixer type Single lever mixer tap with rotating barrel.

---

Coloring Copper

---

Material Brass

---

Texture Brushed in line

---

Rotating angle 140°

---

Strengthening plate  $\varnothing$ 45mm

---

Cartridge With ceramic discs

---

Mixer hole  $\varnothing$ 35mm

---

Max worktop thickness 55mm

---

## FEATURES

---

### Rotating angle

All the taps have a wide angle of rotation. Some models even permit a full 360° rotation.

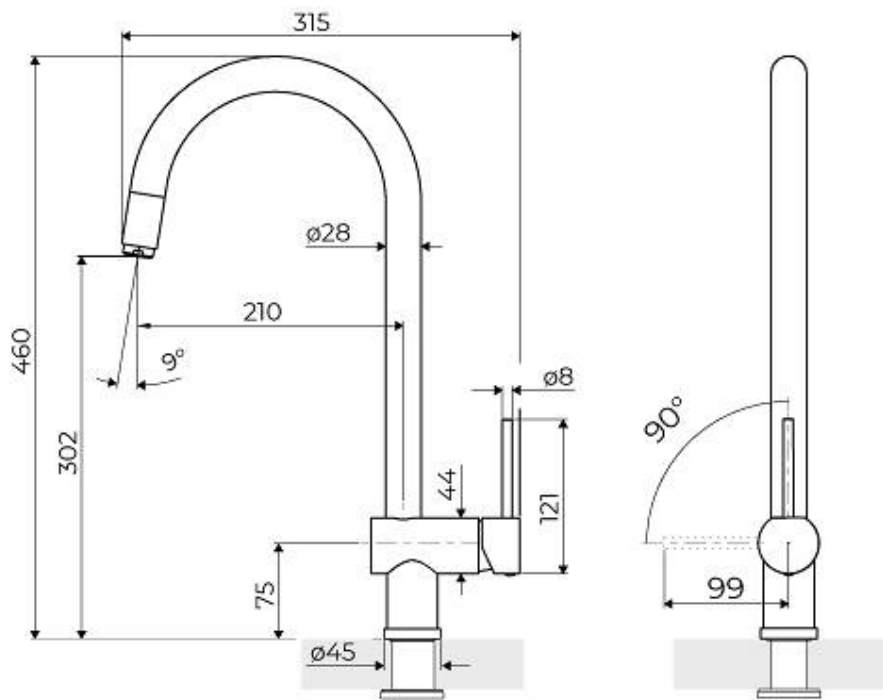
---

### Strengthening plate

Foster's mixer taps are equipped with the strengthening plate that offers perfect stability on any sink.

---

## TECHNICAL DATA



## GALLERY

